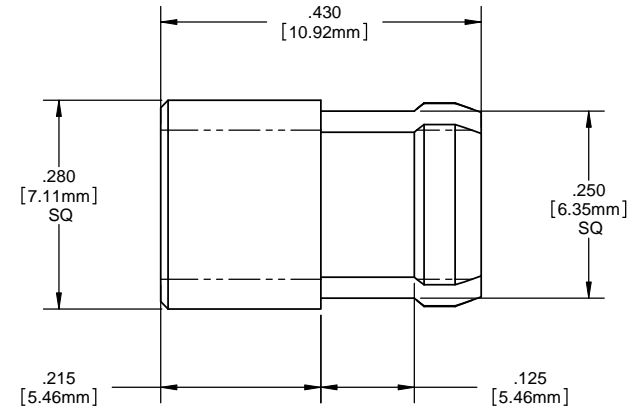
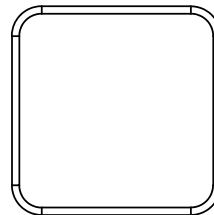
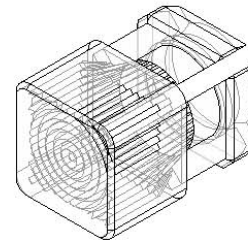


8 7 6 5 4 3 2 1

NOTES:

1. MOUNTING: Mounts in a $\phi .250 \pm .002$ [$\phi 6.35\text{mm} \pm .05$] square punched hole on $.375$ [9.5mm] centers. Panel thickness $.063$ [1.6mm] to $.125$ [3.17mm]. Panel hole should be deburred, but not chamfered.
2. ASSEMBLY: Insert lens through panel hole, and insert LED into lens.
3. MATERIAL: Polycarbonate, UL 94-V2
4. U.S. & Foreign Pat. Issued & Pend.

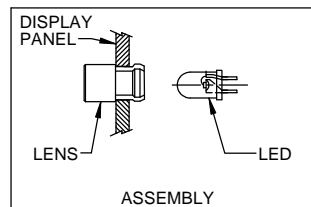
REVISIONS				
ECN#	REV.	DESCRIPTION	DATE	INITIALS
	001	REVISED PER ECR111009AZ01	4-23-10	SMU



ORDERING CODE : **SQL 360 XXX**

MODEL

LENS COLOR	
RTP	RED TRANSPARENT
ATP	AMBER TRANSPARENT
GTP	GREEN TRANSPARENT
BTP	BLUE TRANSPARENT
YTP	YELLOW TRANSPARENT
CTP	CLEAR TRANSPARENT



<small>UNLESS OTHERWISE SPECIFIED DIMENSIONS ARE IN INCHES</small> <small>ANGLES ±1°</small> <small>DECIMALS .X ±.020</small> <small>.XXX ±.010</small> <small>FINISH .XXX ±.005</small> <small>BREAK ALL CORNERS AND SHARP EDGES (R) IN IN</small>	MATERIAL POLYCARBONATE, UL 94-V2	VISUAL COMMUNICATIONS COMPANY, INC. 190 Bosstick Boulevard, Suite 101 San Marcos, CA 92069 USA Phone (760) 560-1300 Fax (760) 560-1301 email vccsales@vccite.com										
	FINISH SEE NOTES	TITLE: 5MM SQUARE STANDARD HEIGHT FRESNEL LENS										
<small>THIRD ANGLE PROJECTION</small> <small>THE INFORMATION CONTAINED IN THIS DRAWING IS THE SOLE PROPERTY OF VISUAL COMMUNICATIONS COMPANY, INC. AND IS LOANED TO YOU AS A SINGLE COPY. IT IS NOT TO BE REPRODUCED OR TRANSMITTED IN ANY FORM OR BY ANY MEANS, ELECTRONIC OR MECHANICAL, INCLUDING PHOTOCOPYING, RECORDING, OR BY ANY INFORMATION STORAGE AND RETRIEVAL SYSTEM, WITHOUT THE WRITTEN CONSENT OF VISUAL COMMUNICATIONS COMPANY, INC.</small>	<table border="1"> <tr> <th>APPROVAL</th> <th>DATE</th> </tr> <tr> <td>SMU</td> <td>4-23-10</td> </tr> </table>	APPROVAL	DATE	SMU	4-23-10	<table border="1"> <tr> <th>SIZE</th> <th>DWG. NO.</th> <th>REV</th> </tr> <tr> <td>B</td> <td>SQL 360 XXX</td> <td>001</td> </tr> </table>	SIZE	DWG. NO.	REV	B	SQL 360 XXX	001
APPROVAL	DATE											
SMU	4-23-10											
SIZE	DWG. NO.	REV										
B	SQL 360 XXX	001										
<table border="1"> <tr> <th>DRAWN:</th> <th>CHECKED:</th> <th>DATE</th> </tr> <tr> <td>DZ</td> <td>DZ</td> <td>4-23-10</td> </tr> </table>	DRAWN:	CHECKED:	DATE	DZ	DZ	4-23-10	DO NOT SCALE DRAWING	SCALE: 1:1 SHEET 1 OF 1				
DRAWN:	CHECKED:	DATE										
DZ	DZ	4-23-10										

8 7 6 5 4 3 2 1